

SPS-M

Surfx plasma source



The most trusted name in atmospheric plasma.™

The SPS-M is a spot plasma source designed to clean and activate substrates for improved adhesion. It is ideal for semiconductor packaging and electronics manufacturing.

Surfx's Atomflo™ 600 controller operates the SPS-M plasma source by supplying it with radio frequency (RF) power, argon gas flow at 10 LPM and 1.0% oxygen, nitrogen, or hydrogen. Liquid temperature control through the head keeps it at a constant temperature. Once the system is turned on, a uniform, particle-free, and electrically neutral plasma beam fills the 2 mm aperture and bathes the substrate in a flow of active oxygen, nitrogen, or hydrogen atoms.

For more information, contact Surfx at: sales@surfxtechnologies.com or +1 310 558 0770.



SPS-M Specifications

Plasma beam size

2 mm

Dimensions (W * D * H)

76 x 57 x 150 mm

2.99 x 2.24 x 5.91 inches

Weight

0.45 kg (1.0 lbs)

Patented plasma technology

Atmospheric argon plasma

O₂, H₂, N₂ plasma chemistry

RF capacitive discharge

www.surfxtechnologies.com



North America

Surfx Technologies, LLC

Los Angeles, CA, USA

Ph: +1 (310) 558-0770

sales@surfxtechnologies.com

Asia

Surfx Technologies Taiwan Co. Ltd.

Taichung City, Taiwan

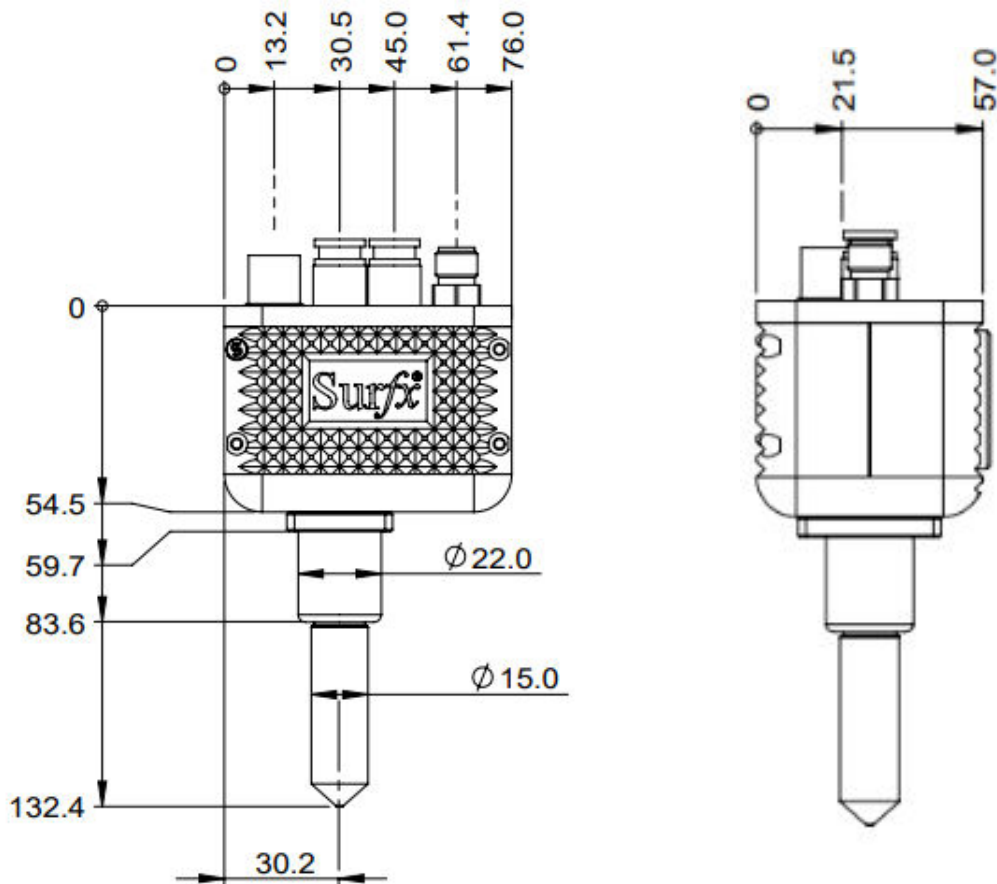
Ph: +886 4 2263 8200

salesasia@surfxtechnologies.com

SPS-M

The SPS series plasma sources are designed for precision surface treatment of materials at low temperature with zero damage and no particles added.

Specifications	
Plasma aperture diameter	2 mm
Plasma effective diameter at substrate	10 mm
External dimensions (W*D*H)	76 x 57 x 150 mm (2.99 x 2.24 x 5.91 inches)
Weight	0.45 kg (1.0 lbs)
Maximum RF power	270 W at 27.12 MHz
Plasma gas	Argon (Ar)
Process gases	Oxygen (O ₂), nitrogen (N ₂), or hydrogen (5.0 or 3% H ₂ in Ar)



www.surfxtechnologies.com



North America
 Surfx Technologies, LLC
 Los Angeles, CA, USA
 Ph: +1 (310) 558-0770
sales@surfxtechnologies.com

Asia
 Surfx Technologies Taiwan Co. Ltd.
 Taichung City, Taiwan
 Ph: +886 4 2263 8200
salesasia@surfxtechnologies.com